

EV3X21

Every digital thermostat for positive temperature refrigeration applications.

Static defrost by stopping the compressor.

Display protection: IP 65

Power supply: 230 VAC, 2 VA

Working temperature: 0°C to 55°C

Digital output: 1 relay 16A resistive @240 VAC

The maximum current allowed on the load is 10 A

Programming procedure

Unlock the controller to begin programming

Temperature Set Point

Press "SET" button once, * will flash

Press ▼ or ▲ to set the desired value

Press "SET" button to confirm

All parameters

Press "SET" for 4 seconds

"PA" will be displayed

Press "SET"

Press ▼ Or ▲ to select password "-19"

Press "SET"

"SP" will be displayed (first parameter on the list)

Press ▼ Or ▲ to select the parameter

To modify selected parameter

Press "SET"

Press ▼ Or ▲ to set the desired value

Press "SET" to confirm

To confirm all changes

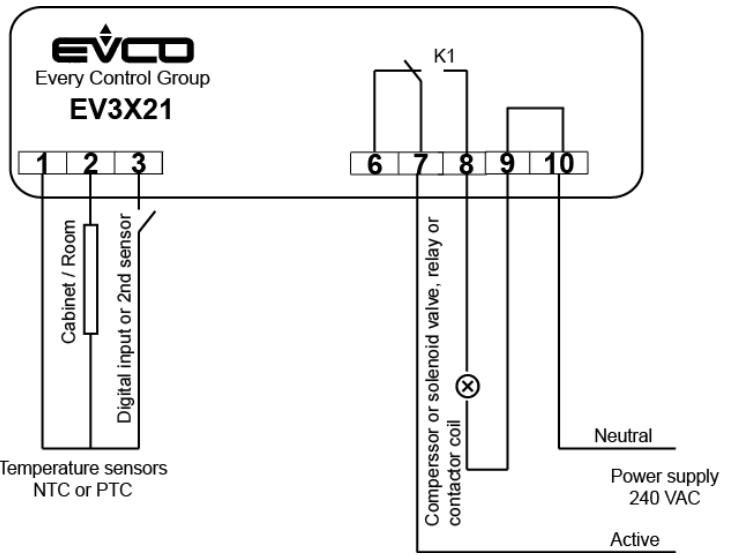
Press ▼ And ▲ for 4 seconds

or leave the controller untouched for approx. 1 min.

Switch the power supply "OFF/ON" after the modification of the parameters

To lock or unlock the display:

Loc	To lock: do not operate for 30 s
UnL	To unlock: press any button for 2 s, display will show "UnL"



Common Parameters

	Min.	Max.	unit	def	
SP	r1	r2	°C	0	Temperature set point
CA I	-25	25	°C	0	Sensor calibration
P0	0	1		1	Kind of probe, 0=PTC 1=NTC
P1	0	1		1	Decimal point
P2	0	1		0	Unit of measure temp. 0 =°C 1 =°F
r 0	0.1	15	°C/°F	2	Differential
r 1	-99	r 2	°C/°F	-40	Minimum set point
r 2	r 1	99	°C/°F	50	Maximum set point
C 0	0	240	min	0	Delay on power up
C 2	0	240	min	3	Compressor short cycle protection
d 0	0	99	Hour	8	Defrost interval (0 = defrost disabled)
d 3	0	99	Min	30	Defrost duration (0 = defrost disabled)
d 4	0	1		0	Defrost on power up (1 = Yes)
d 5	0	99	min	0	Defrost delay if d 4 = 1
d 6	0	1		1	Override display during defrost 2 = "dEF" 1 = Yes 0 = room temperature
r5	0	1		0	0 = cooling, 1 = heating
r12	0	1		1	0 = asymmetric, 1 = symmetric
HE3	0	240	min	2	0 = deactivate power savings mode

- ❖ During the normal operation the controller shows the cabinet temperature
- ❖ To activate the defrost manually press and hold ▲ for 4 seconds
- ❖ "Pr I" error message, sensor damaged, disconnected or wrong kind, check "P0"

We recommend the following settings:

- ❖ **r12 = 0**
- ❖ **HE3 = 0**

	LED ON	LED Flashes
	compressor is running	compressor delay "C0", "C2" or modification of the Set Point
	defrost in progress	defrost delay or dripping time "C0", "C2", "d7"
	Energy saving LED	N/A